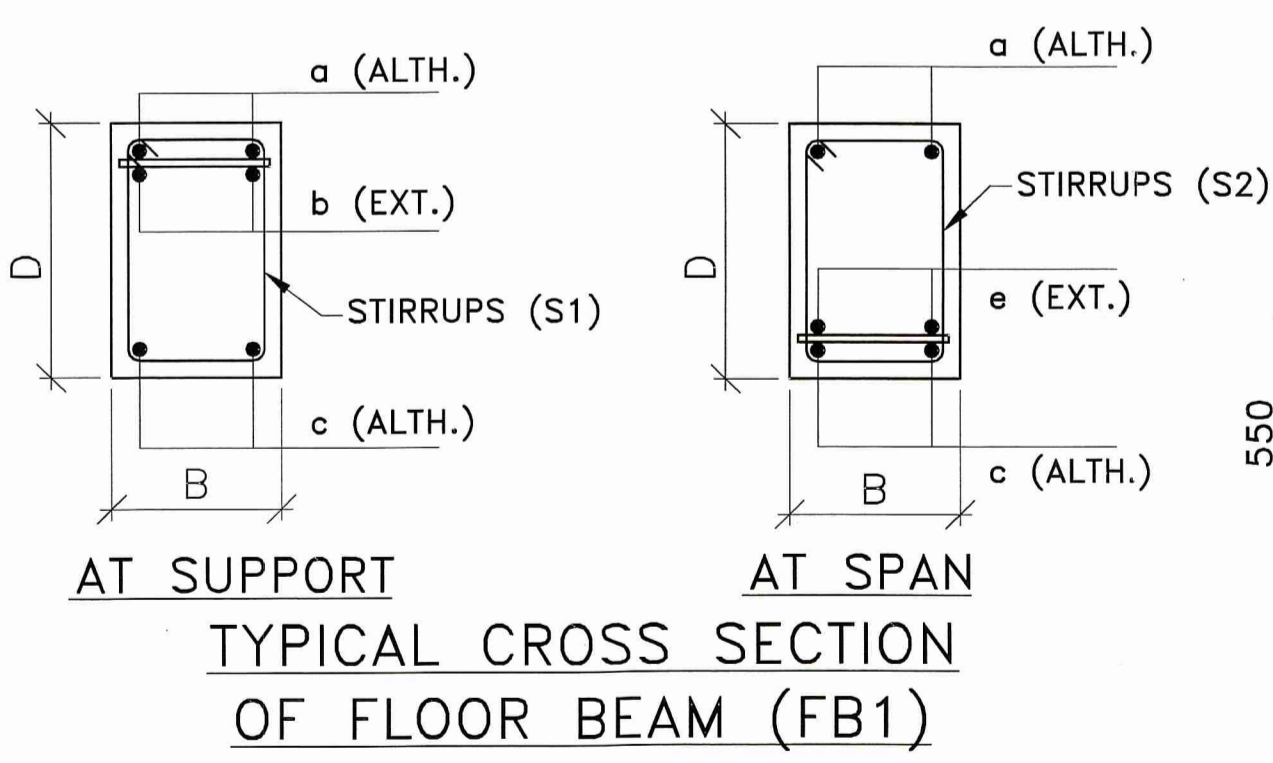
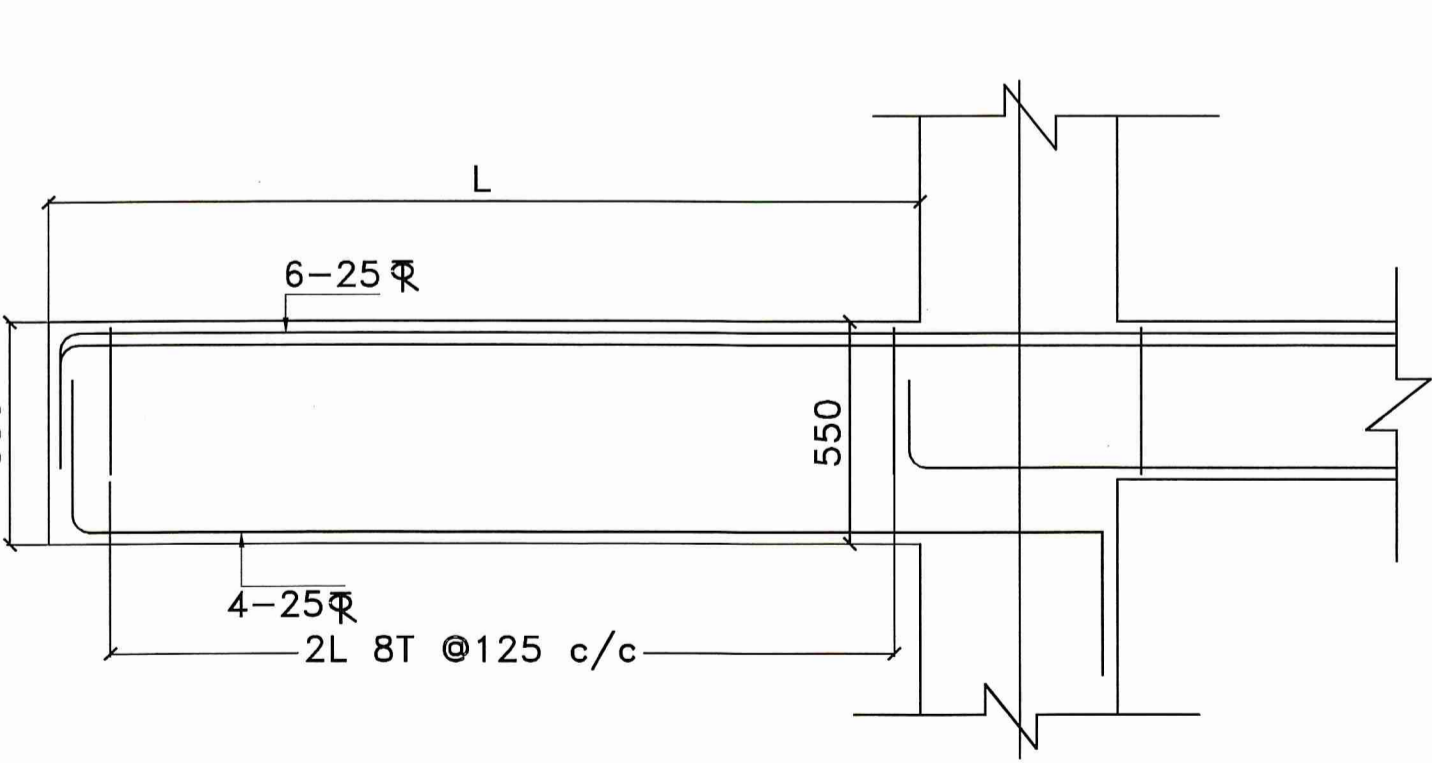


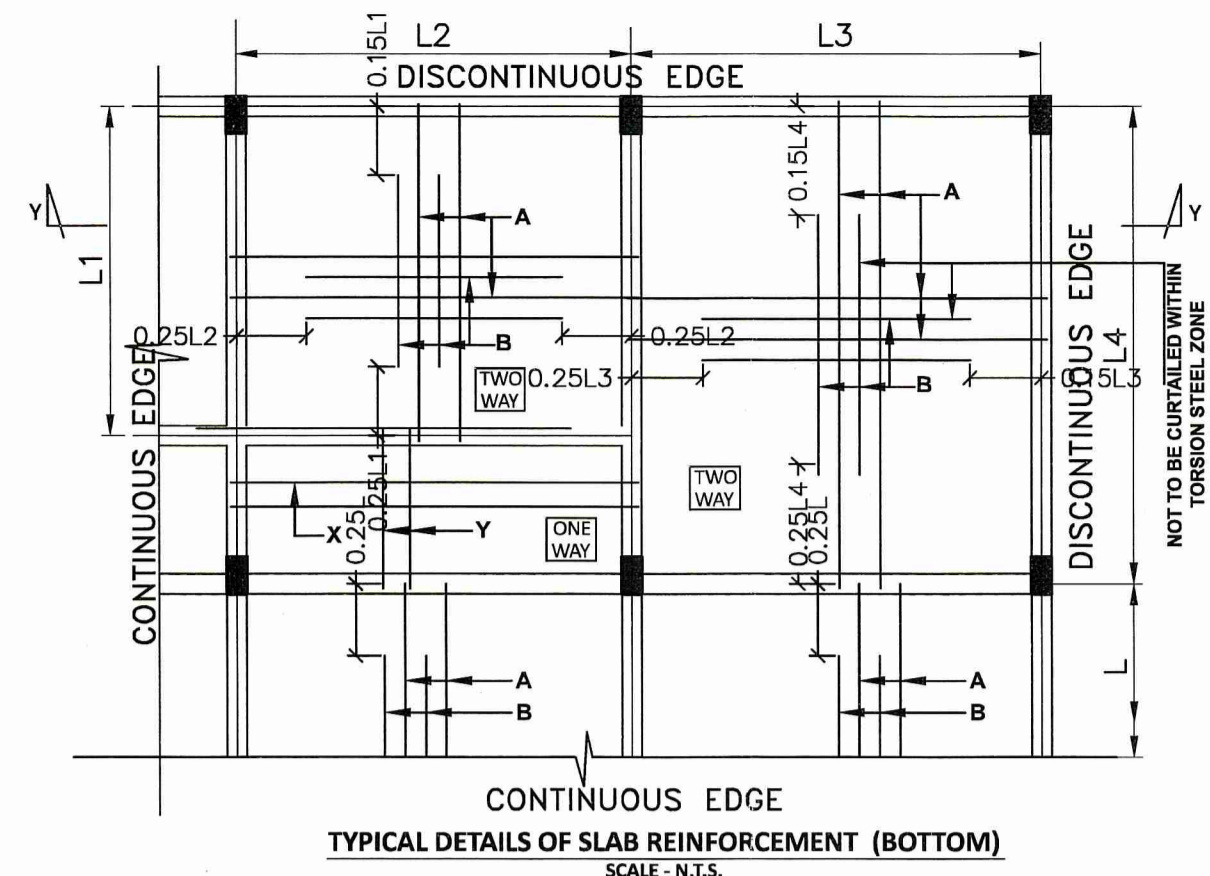
11 TYPICAL FLOOR ROOF BEAM LAYOUT PLAN
SCALE: 1:100



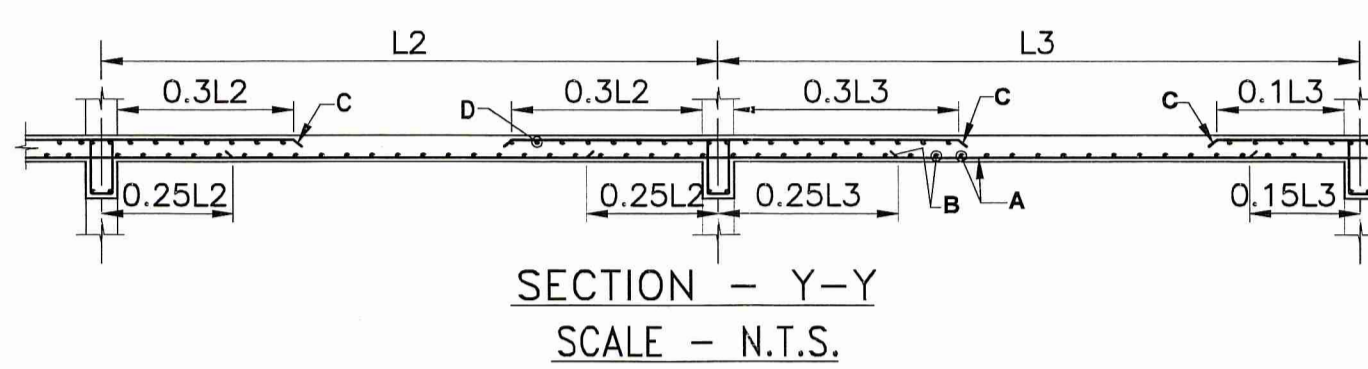
TYPICAL CROSS SECTION OF FLOOR BEAM (FB1)



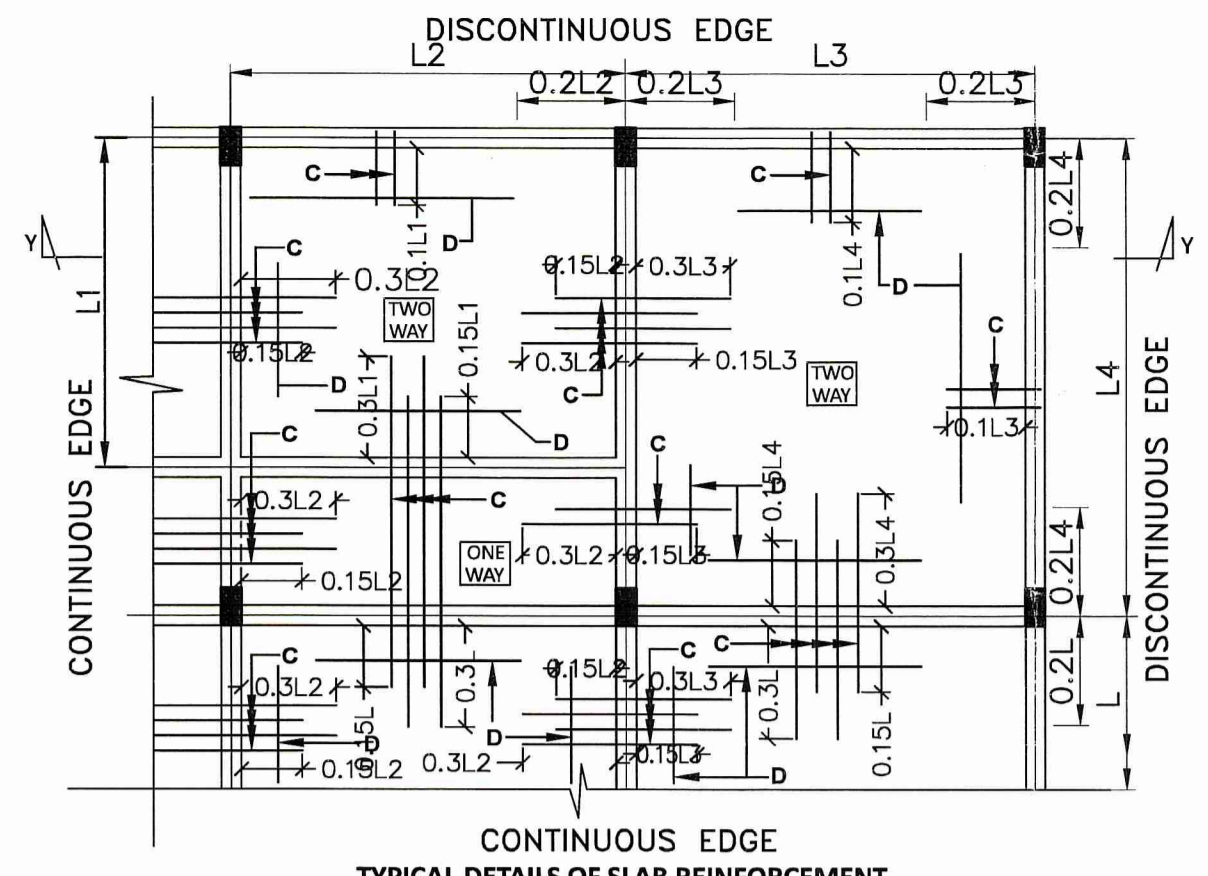
12 TYPICAL SECTION OF CANTILEVER BEAM
SCALE: N.T.S.



TYPICAL DETAILS OF SLAB REINFORCEMENT (BOTTOM)
SCALE: N.T.S.



SECTION - Y-Y
SCALE - N.T.S.



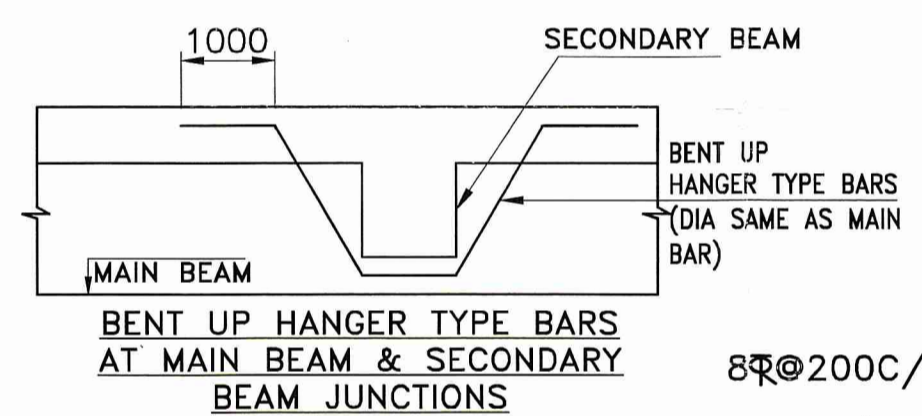
TYPICAL DETAILS OF SLAB REINFORCEMENT (TOP)
SCALE: N.T.S.

TABLE NO:-08 (SCHEDULE OF FLOOR SLAB)

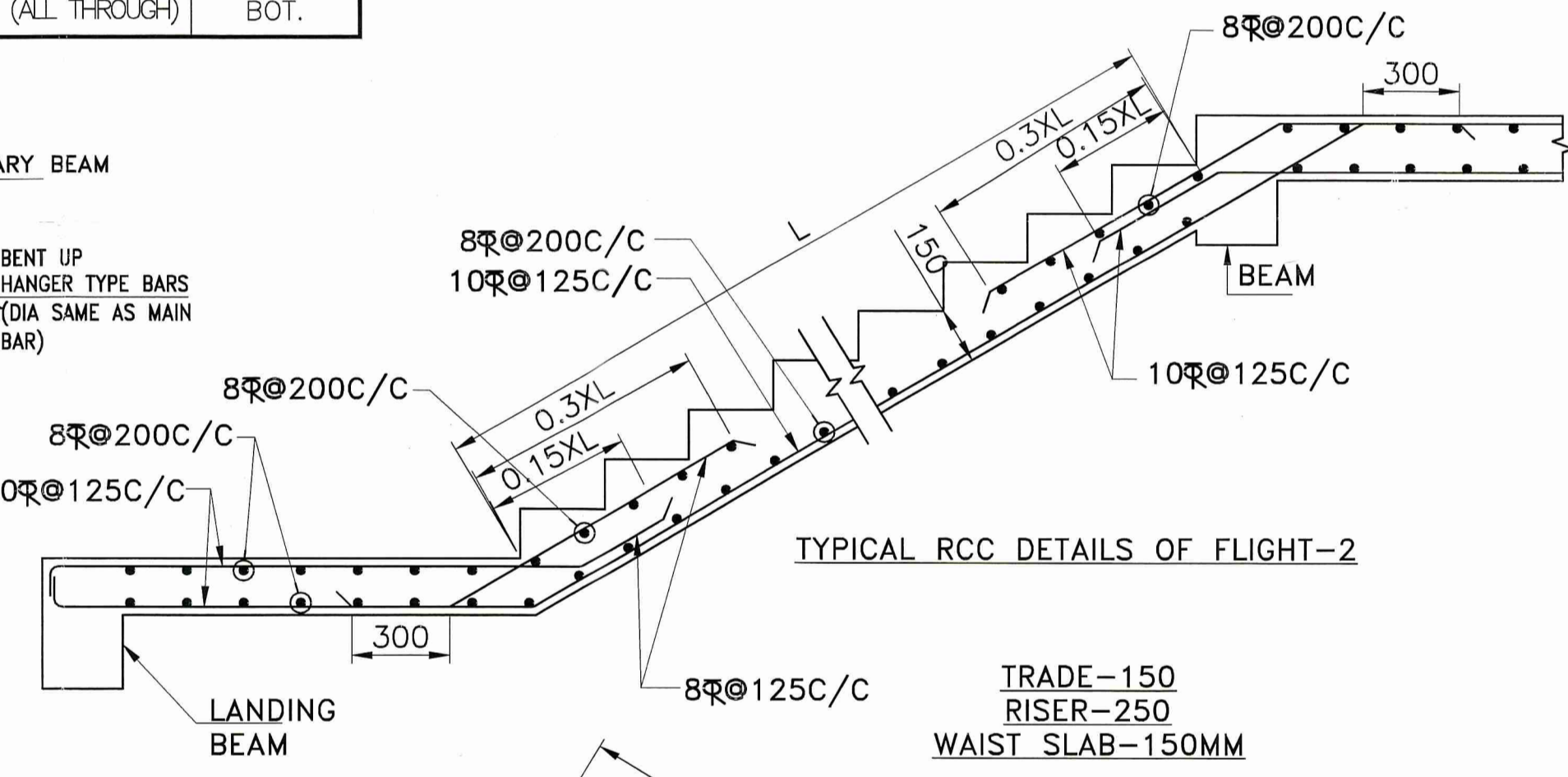
SLAB THICKNESS - 125 mm (S)		
BAR MKD.	REINFORCEMENT	POSITION
A	8T @ 175 mm C/C (ALL THROUGH)	BOT.
B	8T @ 175 mm C/C (CURTAILMENT)	BOT.
C	8T @ 175 mm C/C (CURTAILMENT)	TOP
D	8T @ 250 mm C/C (ALL THROUGH)	TOP
X	8T @ 150 mm C/C (ALL THROUGH)	BOT.
Y	8T @ 150 mm C/C (ALL THROUGH)	BOT.

TABLE NO:-07 (SCHEDULE OF BASEMENT FLOOR SLAB)

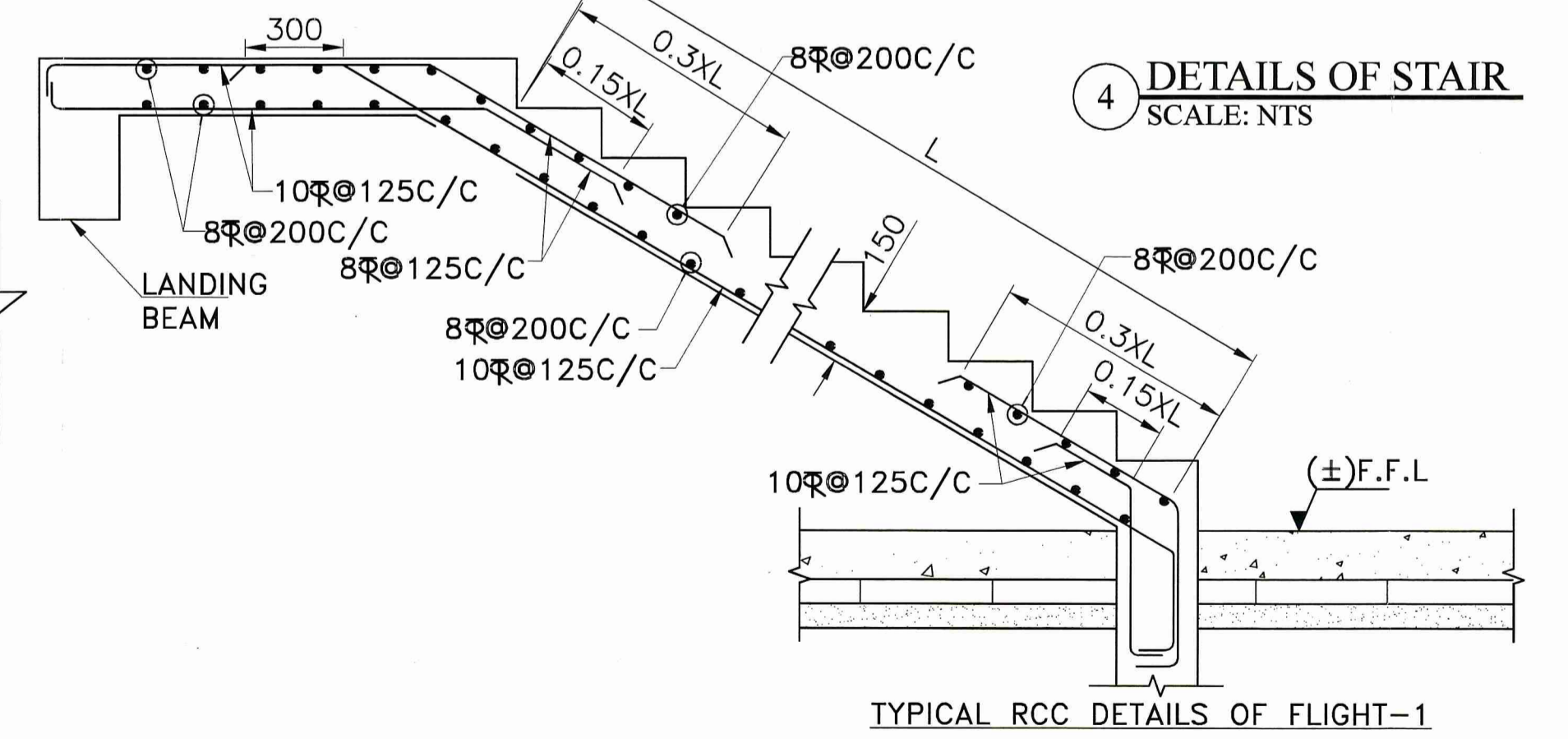
SLAB THICKNESS - 150 mm (S1)		
BAR MKD.	REINFORCEMENT	POSITION
A	10T @ 175 mm C/C (ALL THROUGH)	BOT.
B	10T @ 175 mm C/C (CURTAILMENT)	BOT.
C	10T @ 175 mm C/C (CURTAILMENT)	TOP
D	10T @ 250 mm C/C (ALL THROUGH)	TOP
X	10T @ 150 mm C/C (ALL THROUGH)	BOT.
Y	10T @ 150 mm C/C (ALL THROUGH)	BOT.



BENT UP HANGER TYPE BARS AT MAIN BEAM & SECONDARY BEAM JUNCTIONS



TYPICAL RCC DETAILS OF FLIGHT-2



4 DETAILS OF STAIR
SCALE: N.T.S.

TABLE NO:-01 (SCHEDULE OF FLOOR ROOF BEAM)

Beam Mkd	Size B D	All Through		Ext. at End Supp. Top (b)	Ext. at Cont. Span. Both (e)	Cont. Supp. Top (b)	S T I R R U P S	
		Top(a)	Bot.(c)				Support(S)	Span(S)
FB1	300 450	2-20#	2-20#	2-16#	2-16#	2-16#	2L-8#@125C/C	2L-8#@125C/C
FB2	300 400	2-16#	2-16#	2-16#	2-16#	2-16#	2L-8#@125C/C	2L-8#@125C/C
FB3	300 350	2-16#	2-16#	1-16#	1-16#	1-16#	2L-8#@125C/C	2L-8#@125C/C
CB	300 550	6-25#	4-25#				2L-8#@125C/C	2L-8#@125C/C
HLB	300 350	2-16#	2-16#	1-16#	1-16#	1-16#	2L-8#@125C/C	2L-8#@150C/C

SIGNATURE OF ARCHITECT:-
Hirok Ghosh
HIROK GHOSH
Consultant Civil Engineer - (Class-I)
Lic. No. LBPA/163/AMC/04C/SPD/183
DCE, B.TECH. C.I.T.S. Durgapur - 16
Contact No. - 943233331

SIGNATURE OF GEO-TECHNICAL ENGINEER:-
Manoj Maity
MANOJ MAITY
Civil/Geotechnical Engineer
CE, MDS - LMA278
Lic. No. LBPA/162/AMC/04C/SPD/183
C.I.T.S. Durgapur - 16

SIGNATURE OF STRUCTURAL ENGINEER:-
S.K. Mandal
S.K. Mandal
B.E.(Civil), M.I.E., M.I.G.S.
I.B.S. - Class-I (R.A.M.C.) ESE-1
Consulting Chartered Engineer
Structural & Geo-Technical
ESE-1/399, LBS-1/1345

PROJECT NAME:-
PLAN OF PROPOSED (B+G+4+1) STORIED RESIDENTIAL BUILDING OF MR. NIRMAL KUMAR MONDAL S/O LATE JATADHARI MONDAL, R.S. PLOT NO-1402,3064, L.R. PLOT NO-2284,2285, KHATIAN NO-6453, J.L. NO-119, MOUZA BHIRINGI, P.S. FARIDPUR, DIST-BURDWAN, HOLDING NO- CIRCLE/WARD NO- ID NO-

- NOTES :-
- (±) 0.00 m LEVEL REFERS TO E.G.L.
 - UNLESS OTHERWISE STATED ALL CONSTRUCTION ACTIVITIES SHALL BE CARRIED OUT CONFORMING TO RELEVANT (INDIAN) STANDARD CODES OF PRACTICE.
 - ALL DIMENSIONS ARE IN MILLIMETERS & LEVELS ARE IN METER. EXCEPT OTHERWISE MENTIONED ONLY WRITTEN DIMENSIONS SHALL BE FOLLOWED. ALL LEVELS GIVEN IN STRUCTURAL DRAWINGS ARE IN ACCORDANCE WITH ARCHITECTURAL DRAWINGS AND INDICATE STRUCTURAL LEVEL ONLY (WITHOUT FINISH). HOWEVER ARCHITECTURAL DRAWING TO BE COORDINATED FOR ALL LEVELS.
 - ALL STRUCTURAL DRAWINGS SHALL BE READ ALONG WITH THIS DRAWING AS WELL AS RELEVANT ARCHITECTURAL DRAWINGS.
 - ANY DISCREPANCY IN THE STRUCTURAL AND ARCHITECTURAL DRAWINGS SHALL BE BROUGHT TO THE NOTICE OF STRUCTURAL CONSULTANT BEFORE EXECUTION OF WORK.
 - UNLESS OTHERWISE SPECIFIED ALL REINFORCEMENT TO BE USED SHALL BE TMT. BARS OF GRADE Fe-500/500 D CONFORMING TO IS-1786-2008.
 - ADEQUATE CHAIR BARS TO BE PROVIDED TO KEEP THE TOP REINFORCEMENT IN PROPER POSITION.
 - UNLESS OTHERWISE STATED LAP LENGTH OF BARS SHALL BE DEVELOPMENT LENGTH=50xBAR DIA.
 - UNLESS OTHERWISE SPECIFIED DISTRIBUTION REINFORCEMENT SHALL BE 8 T @ 250 C/C
 - CONCRETE COVER TO MAIN REINFORCEMENT SHALL BE AS FOLLOWS:- a)Beam:-25mm, b)Column:-40mm, c)Slab:-15mm, d)Footling:-50mm, e)R.C.C Wall:-20mm, f) Stair:- 20mm.
 - Grade of concrete will be M30 for column and M25 for beam and sub structure as per is: 456:2000.
 - Development length 50xD for lap & splices should be provided as per the provisions laid down in SP34:1987

SIGNATURE OF DEVELOPER/OWNER:-
Nirmal Kumar Mondal

VETTED BY:-
S.K. Mandal
DR. S.N. MUKHERJEE
Professor
CIVIL ENGINEERING DEPT.
JADAVPUR UNIVERSITY
KOLKATA - 700032 (W.B)

TITLE:-
COLUMN LAYOUT PLAN, COLUMN SCHEDULE, STIRRUP DETAILS, HOOK DETAILS, SECTIONAL DETAILS OF STAIR, TYPICAL ARRANGEMENT OF REINFORCEMENT IN BEAM, CROSS BEAM JUNCTION DETAILS,

DRAWN BY: A. BAIDYAKAR.
CHECKED BY: S AKHTER.
SCALE : 1:100, 1:50, 1:25, N.T.S
REV-00
SHEET NO:- STRUCTURE:-02-03

